



Vertical and horizontal freezers BELUGA



Product categories



Technical features

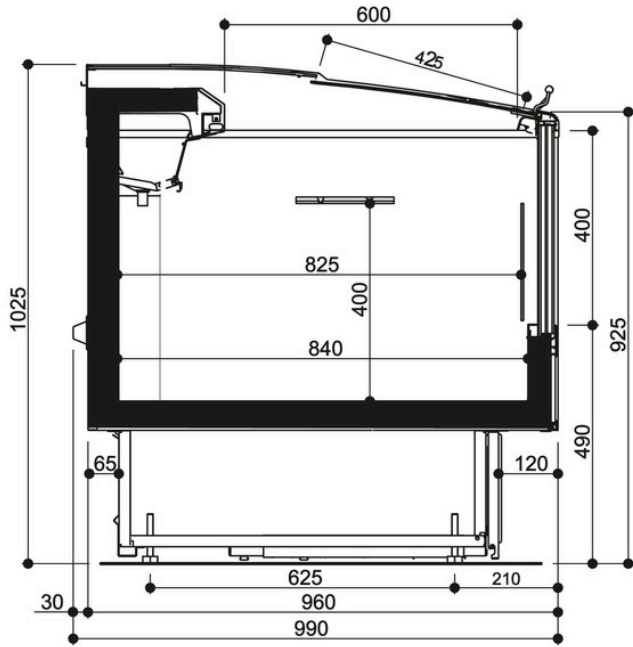




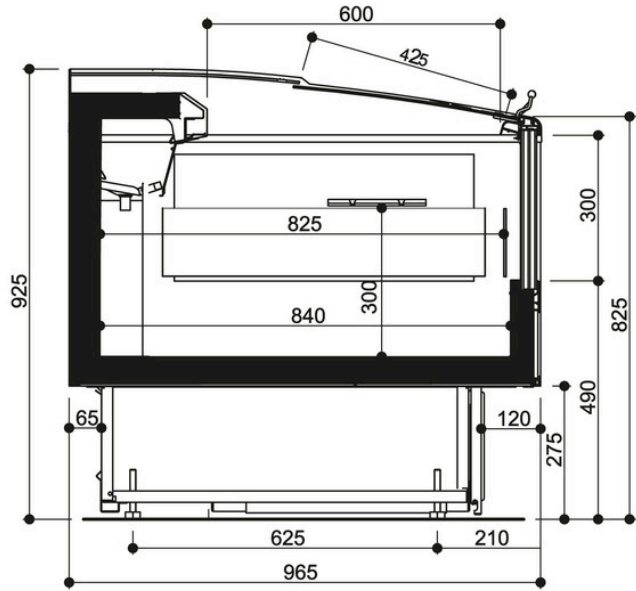
BELUGA								
Lenght -Lunghezza Longueur-Länge-Longitud mm	BELUGA				BELUGA DUAL			
	LINEAR CABINETS			HEAD CABINETS	LINEAR CABINETS			HEAD CABINETS
	1400	2100	2500	2130	1400	2100	2500	2130
	•	•	•	•	•	•	•	•
Display area Superficie di esposizione Warenpräsentationsfläche Surface d'exposition Superficie expositiva m2	1.03	1.56	1.87	1.44	0.98	1.49	1.78	1.37
Loading area Superficie di appoggio Nutzfläche Surface de chargement Superficie de apoyo m2	1.39	2.08	2.48	2.11	1.39	2.08	2.48	2.11
Net storage capacity Capacità netta Nutzinhalt volume utile Capacidad neta dm3	424	660	794	495	264	411	495	279
Dimensions Dimensioni Größe Dimensions Dimensiones LxAxP mm	1385x1023x992	2095x1023x992	2495x1023x992	2131x1023x992	1385x1023x992	2095x1023x992	2495x1023x992	2131x1023x992



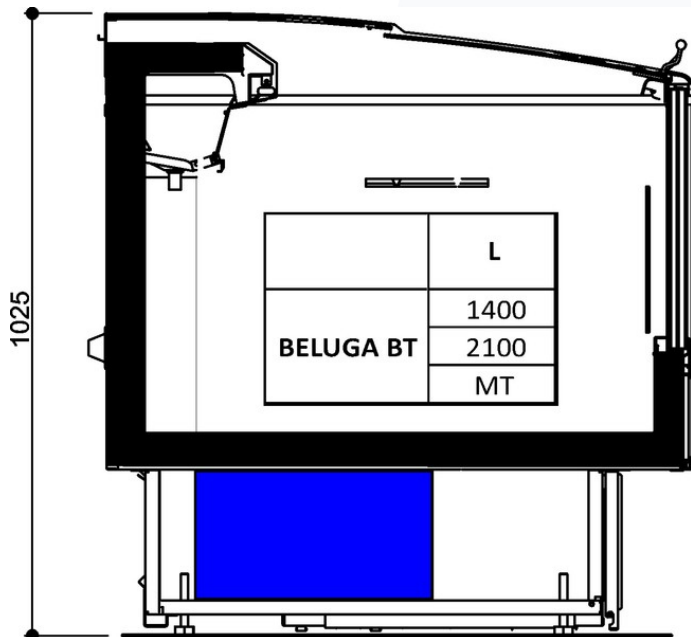
BELUGA - LINEAR_CASE



BELUGA - HEAD_CASE



EPTABLUE OPTION





Legend

 Meat	 Chicken	 Fish	 Pre-packed fish
 Delicatessen	 Cheese	 Dairy products	 Gastronomy
 Pastries	 Pre-packed fruit and vegetables	 Fruits and Vegetables	 Sandwiches
 Drinks	 Pizza	 Bread	 Frozen food and ice cream
 Off-cycle defrost	 Electric defrost	 Hot-gas defrosting system	 Manual defrost
 Ventilated	 Static	 Incorporated condensing unit	 Remote condensing unit
 Bagnomaria	 Ceramic glass	 Ice	 VSD Inverter technology
 LED lighting	 Zero C doors	 High efficiency fans	 R290 Propane refrigerant gas (R290)
 R134a - 400V/3PH/50Hz	 R404A - 400V/3PH/50Hz	 R744 - 400V/PH/50Hz	 Compressor hermetic reciprocating
 Hermetic scroll compressor	 Semi-hermetic reciprocating compressor	 VSD Inverter technology	 External installation
 Machinery room	 Soundproof housing	 On board condenser	 Remote condenser
 DUAL Medium & Low temperature	 Technokleen	 Thin Tech	 EB